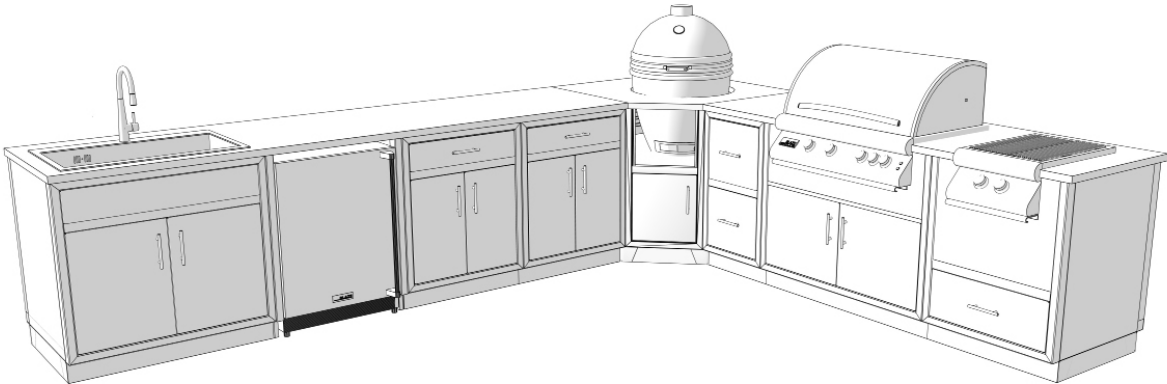




# Cabinet Assembly Guide



# Cabinet Assembly Guide



# Cabinet Assembly Guide

## Contents

- General Information— 3
- Building Codes & Standards— 3
- Third Party Accessories— 3
- Required Tools & Supplies— 4
- Gas Grill Cabinets— 6
- Preparing to Assemble— 7
- Cabinet Modifications— 7
- Assembling Cabinets— 8
- Filler Panels— 11
- Finish Trim Panels— 12
- Tabletop Griddle Inserts— 13
- Countertop Options— 15
- Toe Kicks— 19
- Finish Assembling— 20
- Cleaning & Care— 22



## Cabinet Assembly Guide

### General Information

---

The assembly guide contains general guidance about installing and configuring your cabinets . Certain aspects of your design, location, configuration and other options may require additional steps or alternative means of installation.

Check <https://resources.matchlesscabinet.com> for additional FAQs and other install details.

Your cabinets were constructed with care and precision. With proper installation and maintenance, they should last for a lifetime. If any issues arise, or for warranty claims, please contact Matchless Cabinet at:

Matchless Cabinet  
19800 Metcalf Ave, Suite 263  
Stilwell, KS 66085  
(913) 214-1518

### Building Codes & Standards

---

Some instructions in this assembly guide may be superseded by local building codes. Please familiarize yourself with, and observe all local codes and regulations when installing your cabinets.

### Third Party Accessories

---

Your cabinets are designed to work with and accomodate many appliances and accessories from other manufacturers. Be sure to cross-reference this assembly guide with those instructions from other manufacturers; and pay careful attention to following those guides in regards to safety and regulatory procedures, guidelines, and warnings.



# Cabinet Assembly Guide

## Required Tools & Supplies

---

Required Tools:

- Power drill/driver
- Included M10 driver bit
- #2 Phillips head screwdriver
- Tape Measure
- Level
- Masking tape or chalk line
- Writing utensil

Optional Tools:

- Drill
- Drill bits
- Bi-metal hole saw (3")
- Bar or C-Clamps (w / protective pads)
- Clear silicone caulk & caulk gun

Supplies:

Included stainless steel M10 x 3/4" self-tapping hex head screws

Included heavy duty, adjustable 5/16"-18 threaded leveling legs

Included shelf pins for adjustable shelves (as applicable)

If taller adjustable leveling legs are required, please contact us at: [support@matchlesscabinet.com](mailto:support@matchlesscabinet.com).

If desired, or required by local building codes, you may replace included assembly hardware with fasteners of your choice. We recommend only stainless steel fasteners, such as: 1"-1/4" threaded hex bolts, lock washers, and nuts.

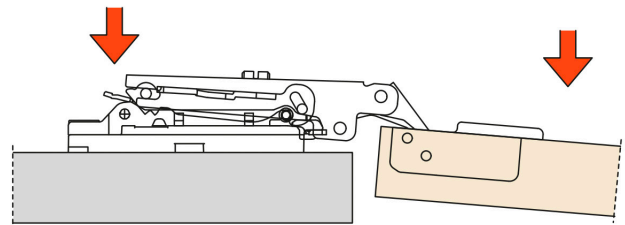
# MATCHLESS

## Cabinet Assembly Guide

Before assembling your cabinets, you should carefully unpack all cabinets and remove all doors and drawers. Using masking tape and a writing utensil, label each door and drawer to its respective cabinet.

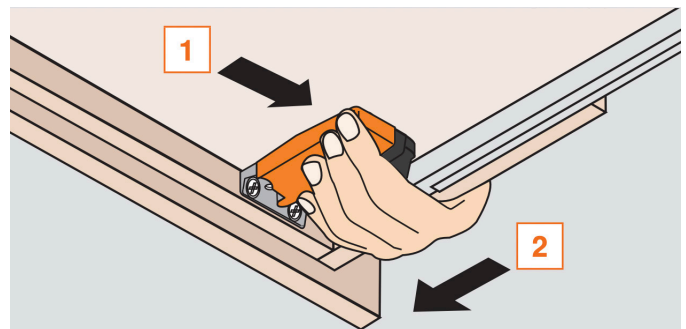
### Removing Doors

- To remove the doors, open the door and remove the hinge from the mounting plate by depressing the hinge latch, and then pushing the door out and away slightly.



### Removing Drawers

- Open the drawer, and placing your hands underneath:  
(1) Squeeze orange handles on the locking devices,  
(2) Pull the drawer straight out and up



Store the doors and drawers safely and securely so they will not be damaged during the assembly.

Reinstall doors and drawers (see Page 20) only after installation has been completed, including countertops and appliances.



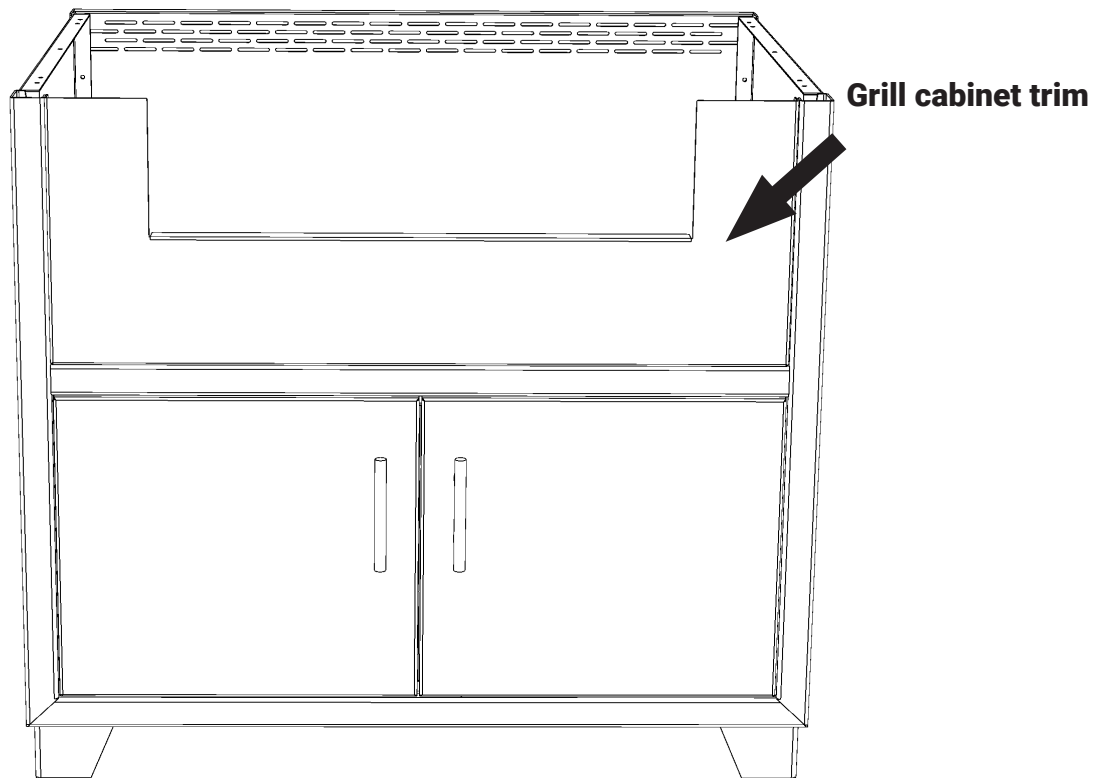
## Cabinet Assembly Guide

### Gas Grill Cabinets

Matchless Cabinet options for gas grills are designed to support “built in” and “drop in” appliances which will hang from the countertop. Insulated grill jackets or liners are not required; and are not considered in the design.

Your gas grill cabinet (or side burner cabinet) has been cut to manufacturer specifications for width, height, and depth. See <https://resources.matchlesscabinet.com/grill-cabinets-cutouts-and-grill-selection> for additional details.

See Page 11 for front trim panel install instructions.



## Cabinet Assembly Guide

### Preparing to Assemble

---

To prepare the site for installation, it may be helpful to place the cabinets on the install site, and mark the layout with masking tape or a chalk line.

Take note of any obvious high spots; keeping a minimum of 3.75” clearance between the ground and the cabinet bottom, if toe kicks are to be installed.

### Cabinet Modifications

---

Depending on cabinet layout, appliance selections, and utility plans, your cabinets may need to be modified to allow for electrical or plumbing.

It is possible to modify your cabinets by cutting access holes where required, without voiding your warranty.

In these cases, using a metal bit hole saw and drill, create access where needed, taking care not to cut through the cabinet face frame, any structural member, or panel joints. Sharp metal edges may be filed smooth, or protected with foam, such as commonly found protective foam for HVAC lines.

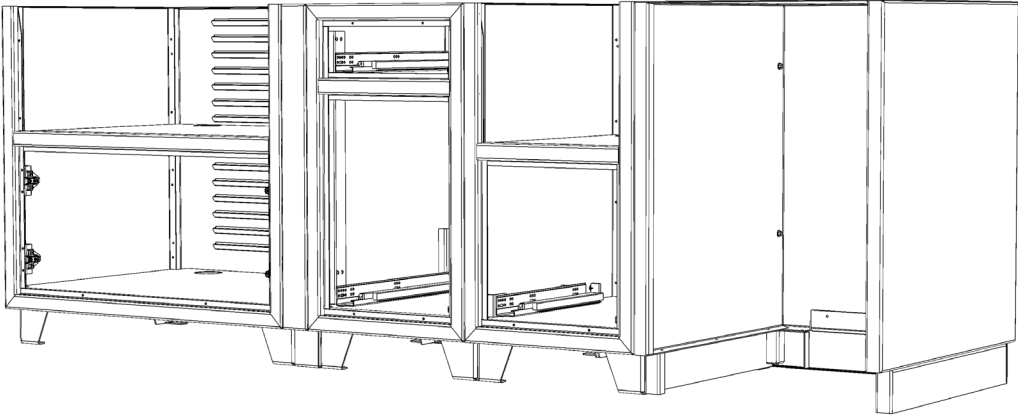
Be careful to remove any metal shavings created when drilling or sawing holes, to prevent damage to the finish.



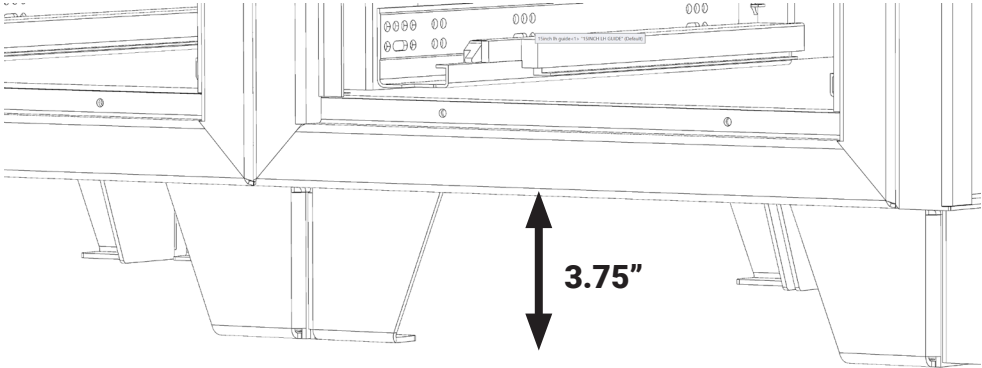
# Cabinet Assembly Guide

## Assembling Cabinets

- 1. Place the cabinets in their desired final position on your install site.



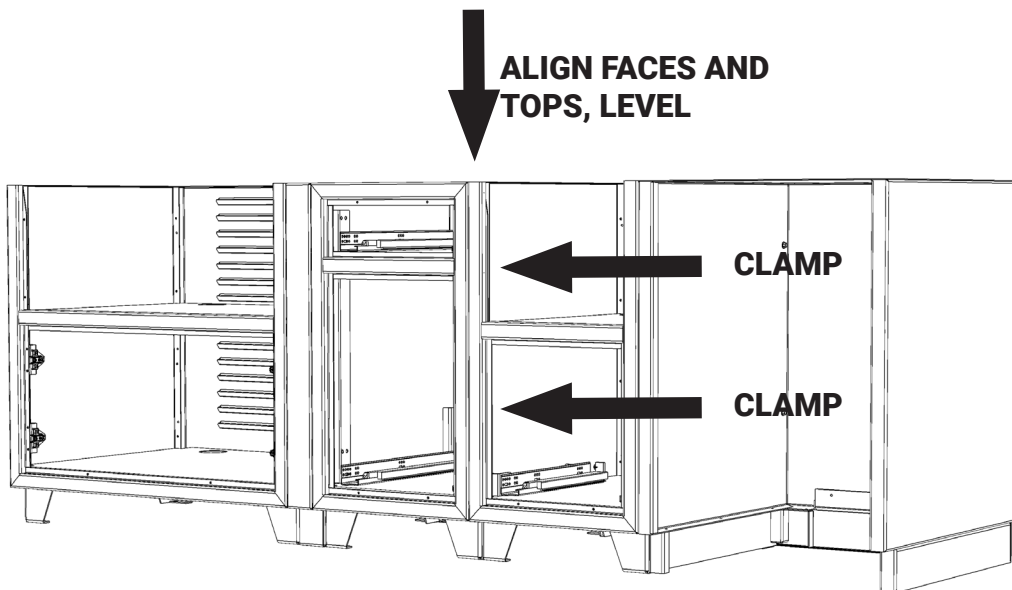
- 2. Find the cabinet that is on highest ground, by measuring from ground to cabinet bottom, leaving a minimum of 3.75" clearance if toe kicks are to be installed.



# MATCHLESS

## Cabinet Assembly Guide

3. Using the leveling feet, adjust this cabinet so that it is level from front to back, and side to side.
4. Once level, continue to adjust the adjacent cabinets to match your starting cabinet, until all cabinets are level.
5. Beginning with the first cabinet you leveled, pick an adjacent cabinet and carefully align the faces and tops of the two cabinets. Using a bar clamp or c-clamp, clamp the two cabinets together at the face frames to hold the position.

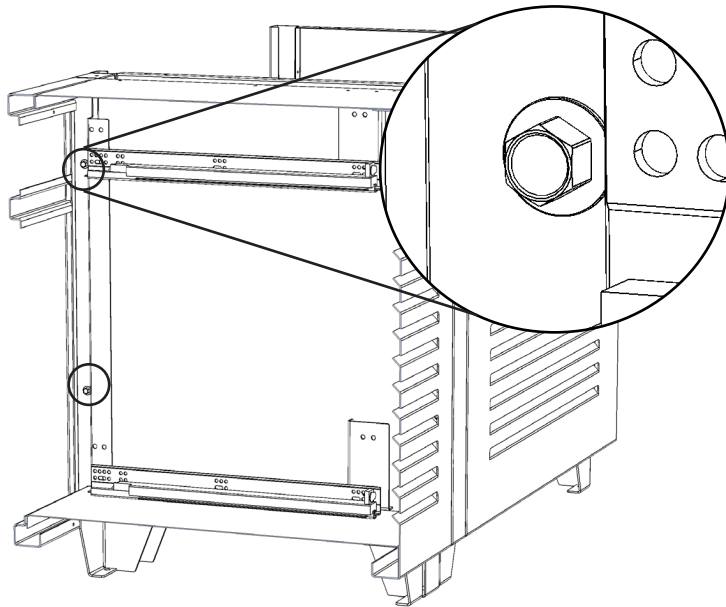


# MATCHLESS

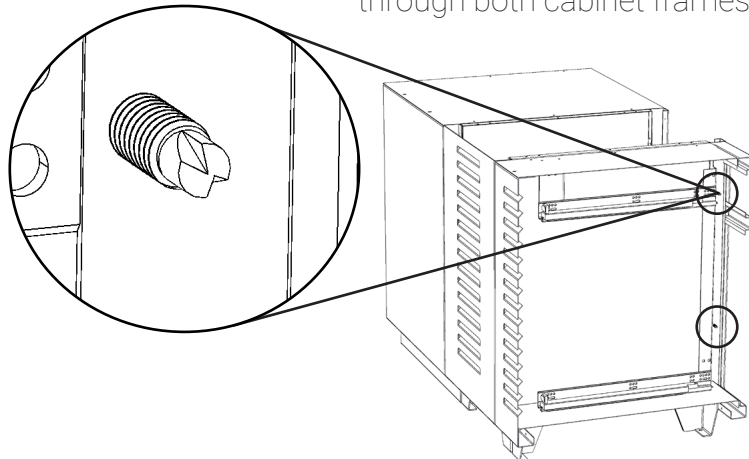
## Cabinet Assembly Guide

6. Measure and mark two locations for connecting screws on the inside of the face frame, approximately 4" - 6" from the top, and the bottom of the cabinet.

Using your power drill or driver, and the M10 bit, connect the two cabinets together with two of the supplied M10 x 3/4" screws. Be careful not to over-tighten.



Make sure the screw goes through both cabinet frames.



# MATCHLESS

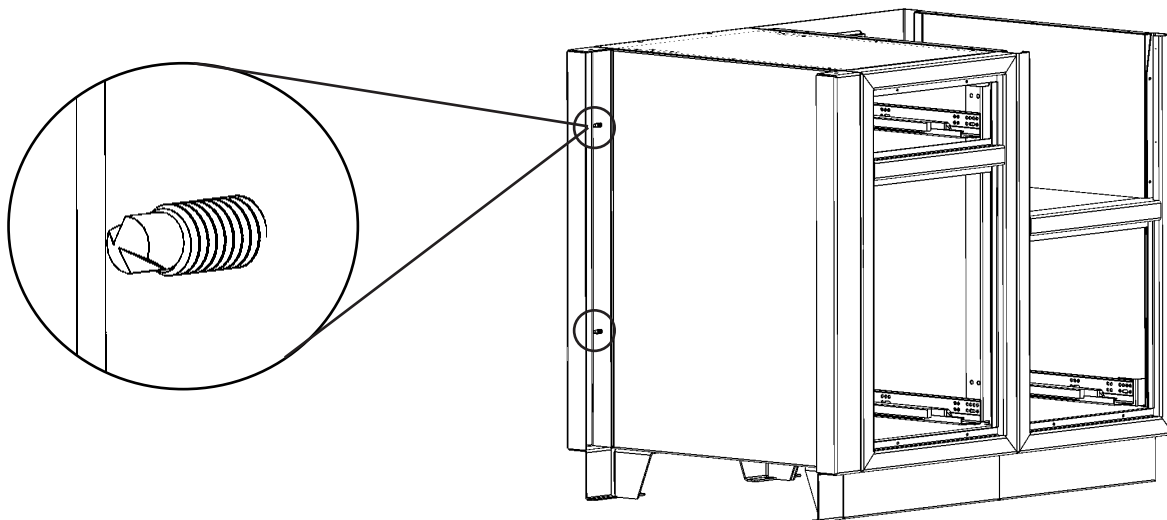
## Cabinet Assembly Guide

7. If desired, repeat this process in the rear of the cabinet, attaching the two adjacent cabinet side walls together.
8. Repeat the above steps per cabinet, until complete.

### Filler Panels

---

If your cabinet layout calls for any filler panels between the cabinets, or between cabinets and wall or other structures, those may be fastened to the cabinets in the same way you join cabinets to each other.



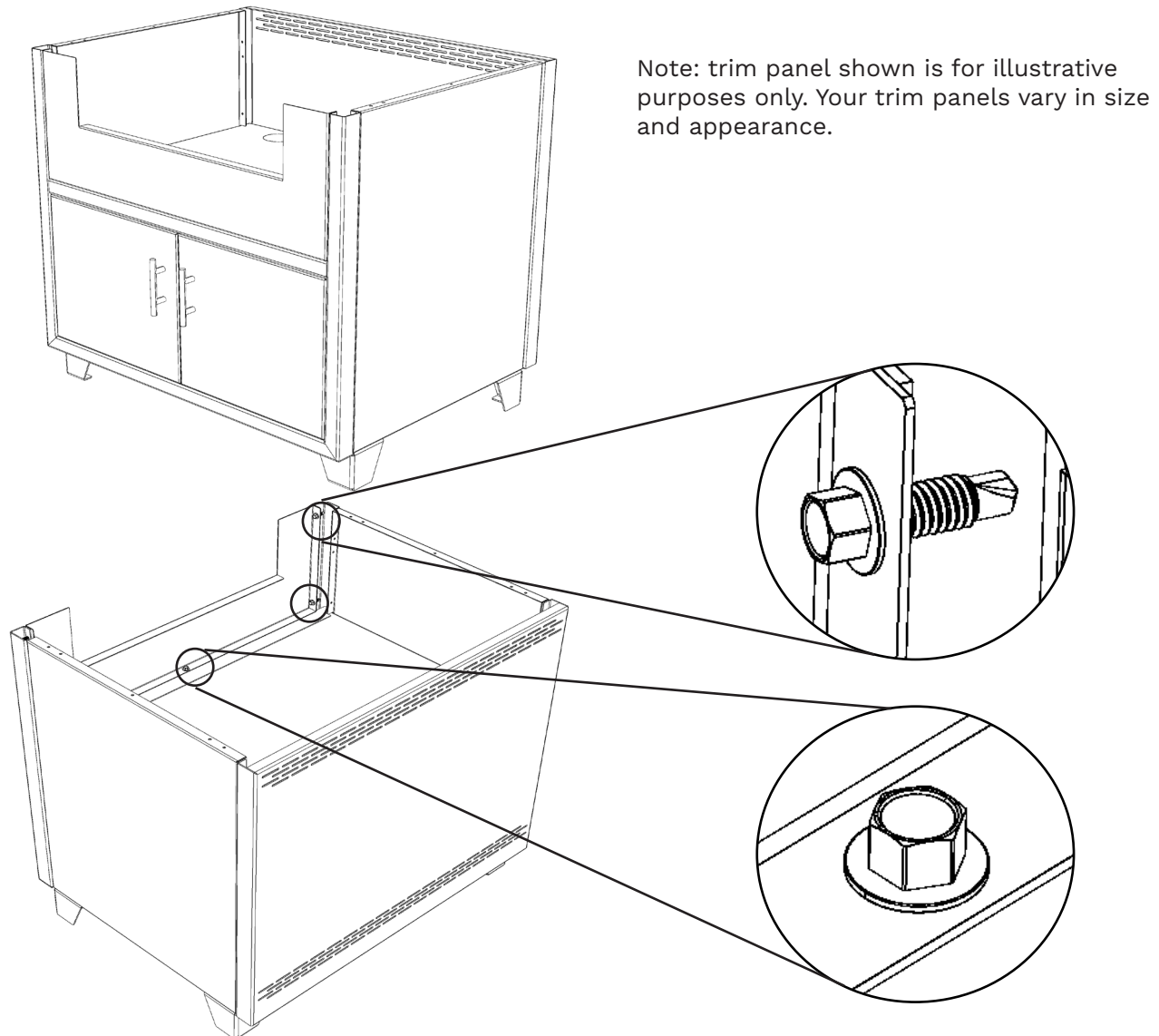
## Cabinet Assembly Guide

### Finish Trim Panels

---

Your cabinets may have been provided with one or more trim panels to finish the front face of the cabinet around grills and other appliances.

These trim panels may be installed the same way as filler panels, with self-tapping metal screws. For tabletop griddle inserts, please see Page 13.



## Cabinet Assembly Guide

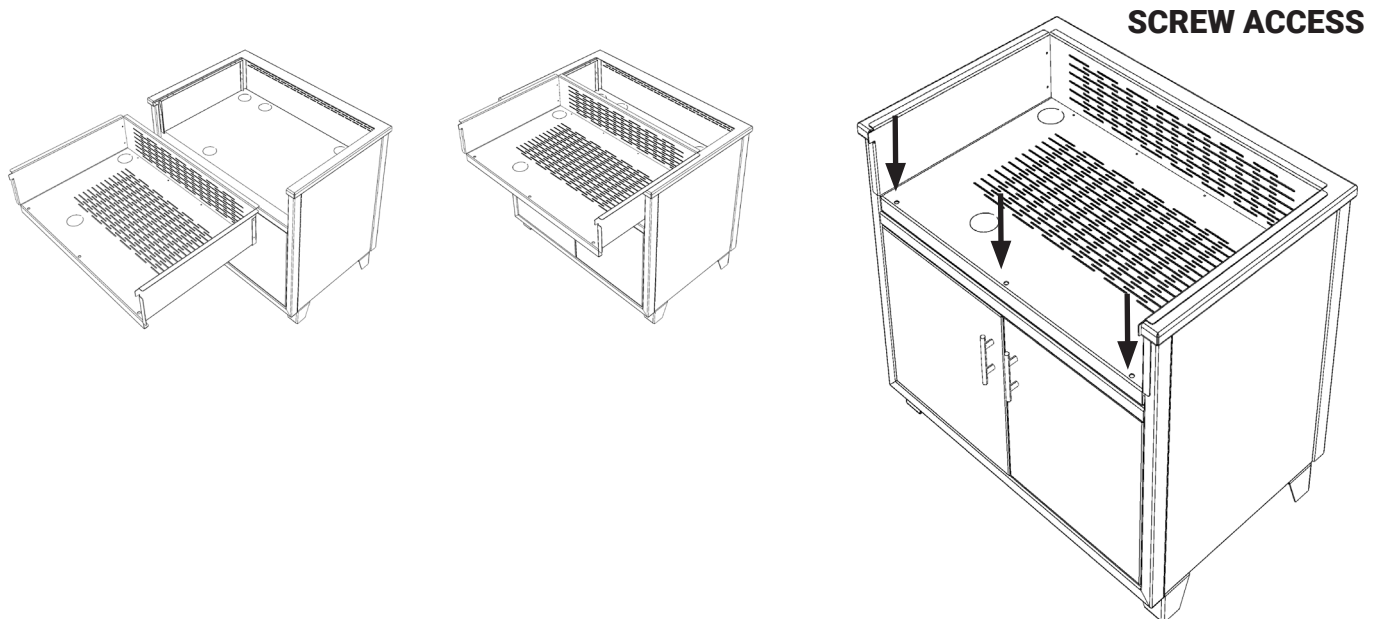
### Tabletop Griddle Inserts

This insert works similar to our finish trim panels (seen on Page [X]) but require the countertops to first be installed, as the countertops act as a support for the insert. With the insert installed, you may use a tabletop griddle or appliance in a more permanent, built-in fashion.

*Note: depending on your make and model, installation may require accessory regulators, hoses, or modification to the insert to place fuel lines.*

1. Install countertops (see Page 15)
2. Slide the insert over the countertop with the insert flange resting on top of the counter. If using powder coated countertops, be careful to not scratch the finish.
3. Using an extension bit, install 3 of the provided M10 x 3/4 hex screws via the access holes at the front of the insert.

(cont'd)



# MATCHLESS

## Cabinet Assembly Guide

### Tabletop Griddle Inserts

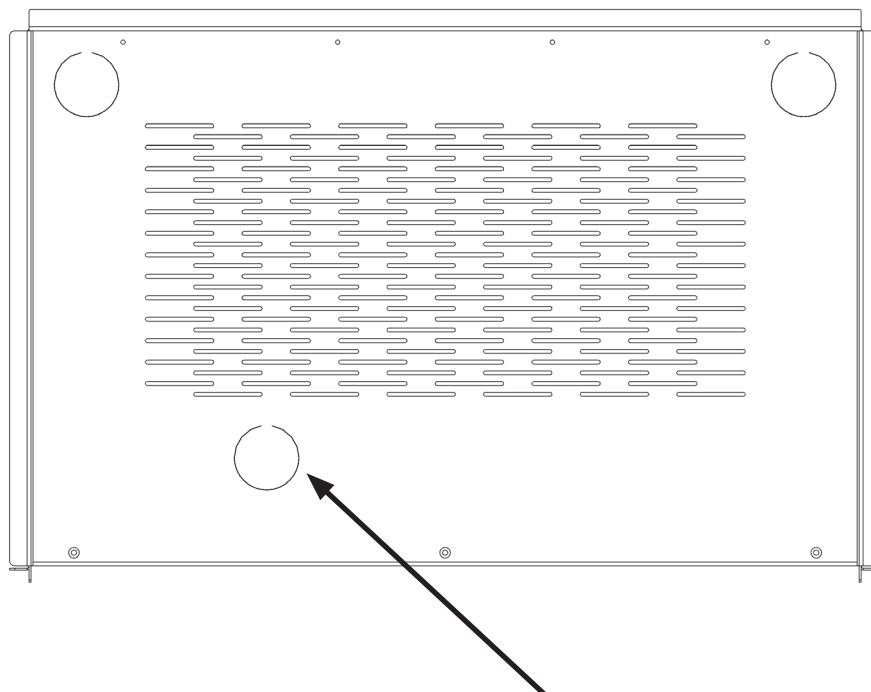
---

For Blackstone Models 6138, 6303, 6028, and 6301, remove the appropriate knockout panel towards the front of the insert for routing the gas and power lines.

Also remove the corresponding knockout in the cabinet shelf that lines up.

The rear corner knockouts may be used for other makes and models of griddles.

#### TOP VIEW



Remove as necessary for Blackstone 28" built-in models .

Note: larger inserts have additional knockout for Blackstone 36" built-in models.

## Cabinet Assembly Guide

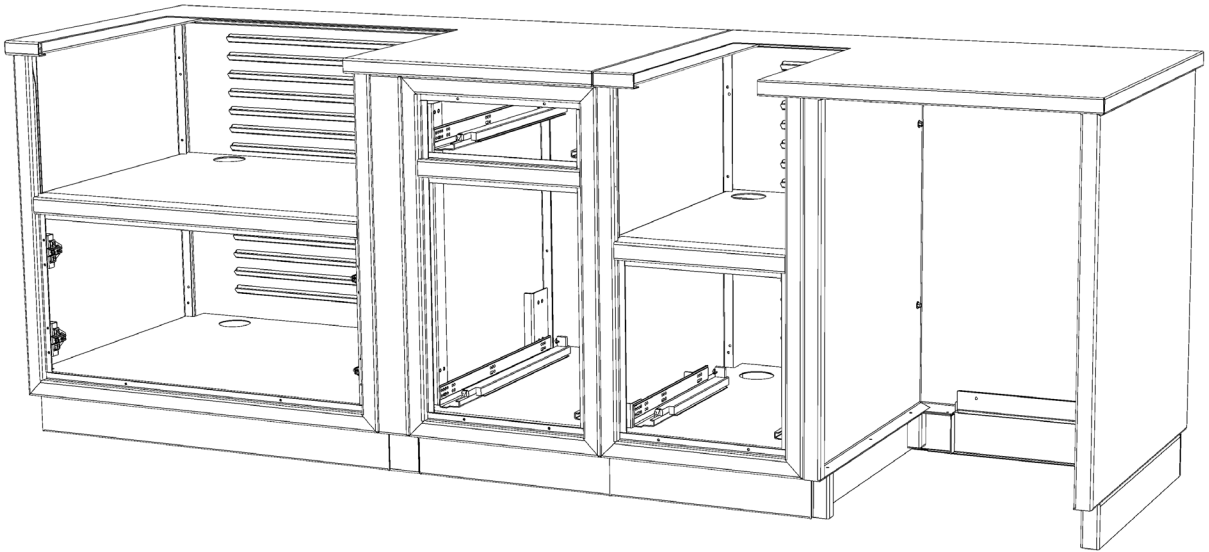
### Countertop Options

---

If your cabinets were configured with optional countertops, refer to this section for installation instructions for general guidance.

For other countertop installation, refer to a local fabricator of countertops in a material of your choice.

1. Your countertops were designed specifically for your cabinet layout and appliance choices. Begin by laying out the countertop pieces over your cabinets. Cabinets should already be leveled and assembled.



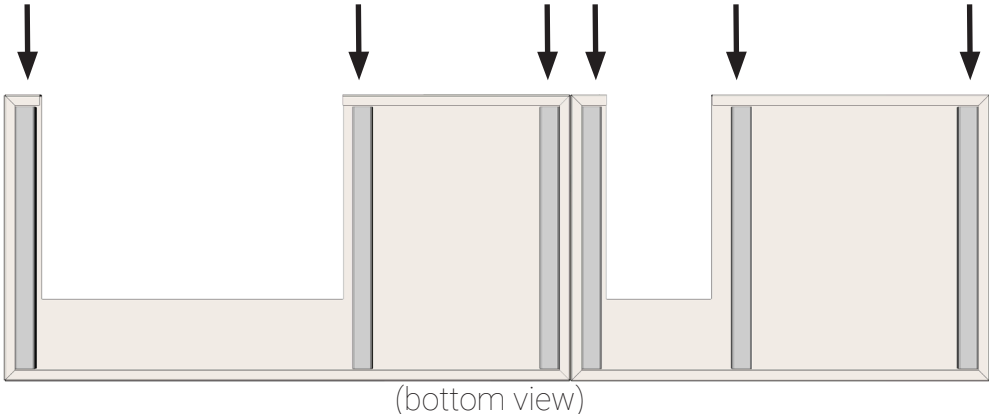
2. Square the countertops as appropriate and check for balanced overhang on each side, front, and back as appropriate.

(con'td)

# MATCHLESS

## Cabinet Assembly Guide

- 3. Make note of the location of the countertop braces on the bottom of the counters (see detail below). You will use these strips to mount the countertops to the cabinets.



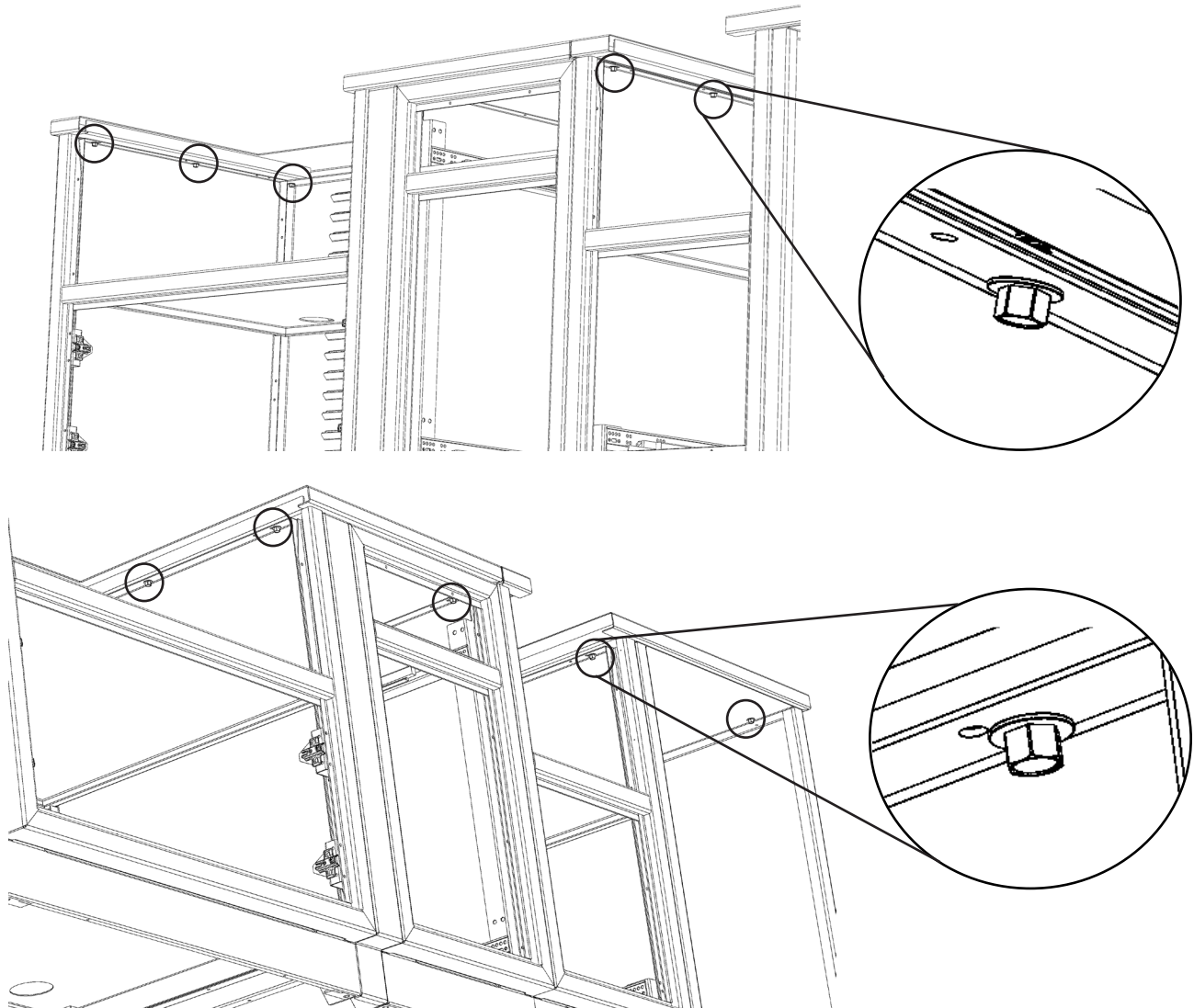
(cont'd)

# MATCHLESS

## Cabinet Assembly Guide

4. Use the included M10 x 3/4" hex screws and a driver to attach each section of countertop, on at least two braces. This may require fastening through the top of a fully enclosed cabinet, or through the side flange of a cabinet with an appliance opening.

(cont'd)

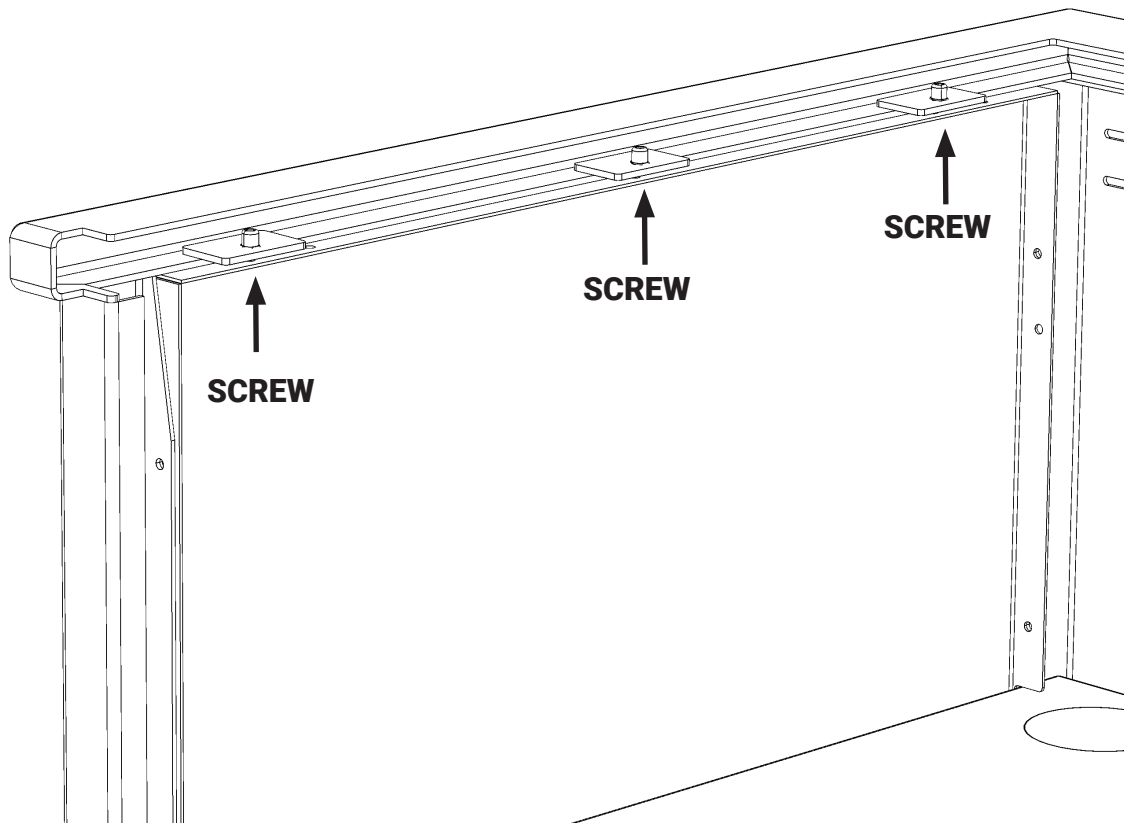


# MATCHLESS

## Cabinet Assembly Guide

- Countertops that include a cutout for grills or other appliances at the end may require retainer clips to hold into place. These clips are included if needed.

Place the clip on the inside flange of the countertop, and drive an M10 screw through the cabinet flange and into the clip, securing the countertop flange into place.

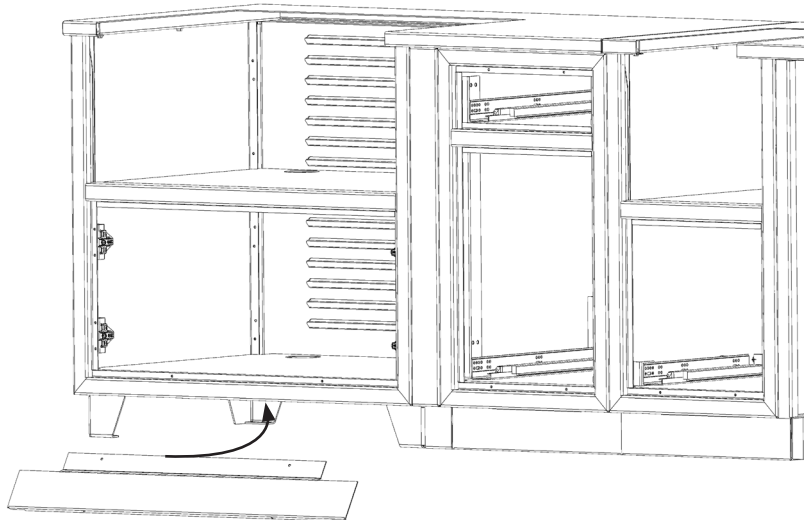


## Cabinet Assembly Guide

### Toe Kicks

---

If equipped with optional toe kicks, install them by inserting the magnetic toe kick flange under the face frame on the front (or rear) of the cabinet. Snap into place, and adjust up and down as necessary to close any gap with your floor, and to align with adjacent toe kick pieces.



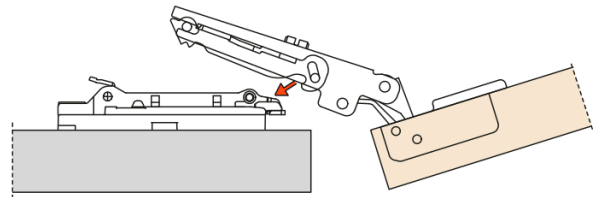
## Cabinet Assembly Guide

### Finish Assembling

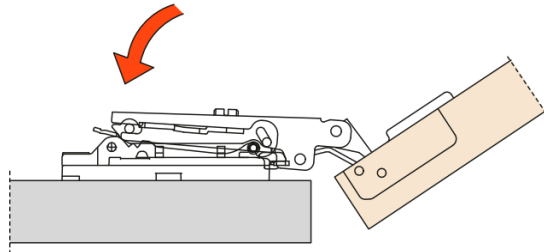
---

#### Attaching Doors

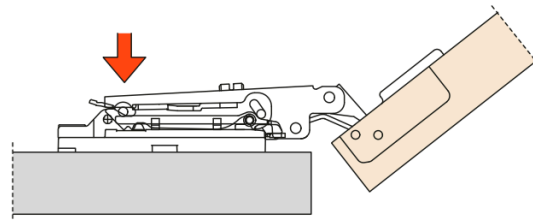
Locate the lugs on the mounting plate into the “J” hooks beneath the arm.



Gently rotate the hinge arm in the direction shown.



Then press lightly on the end of the arm to engage the catch.

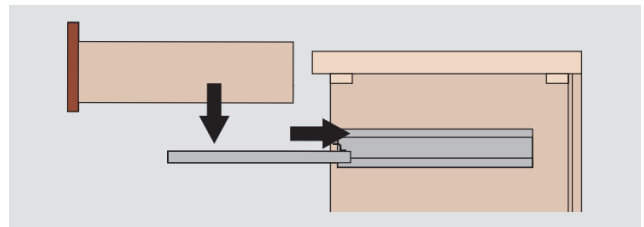




## Cabinet Assembly Guide

### Attaching Drawers

1. Extend the concealed runners fully. Place the drawer on the runners and close. The locking devices automatically engage with the runners. Make adjustments if necessary. (See [matchlesscabinet.com/resources](http://matchlesscabinet.com/resources) for info)



### Other steps

- Install appliances to manufacturer instructions.
- If desired, use clear silicone caulk around the joint where countertops meet the cabinets. This may also be needed around the shelf on kamado grill cabinets, due to the more open and exposed top.
- Install and adjust shelves of cupboard units to the desired height, with the included shelf pins.

## Cabinet Assembly Guide

### Cleaning & Care

---

Regular cleaning and maintenance promotes the beauty and longevity of your Matchless Cabinet product and ensures a lifetime of use.

Routine cleaning can be accomplished by rinsing away dirt and debris. Follow this by gently wiping with a damp, non-abrasive cloth or sponge using warm water. Follow this by towel drying to prevent water spotting. If additional cleaning is necessary, mild soap can be used.

CAUTION – the use of solvents, abrasives, or dish washer detergent will damage the product's finish.

Always test any cleaning solution in an inconspicuous area before applying to the entire product.

Do not store objects on the surface for any extended periods of time as these can trap moisture and debris.

Do not place hot items on any part of the finished surface. Damage created by hot items can be minimized by cleaning and buffing, but will typically never be eliminated. This type of damage will not be covered under warranty.

CAUTION – Ceramic materials and other abrasive textures can cause damage to the painted surfaces.

CAUTION – Take care to never let hot ash come in contact with the painted surface of this product. In addition, wet ash can become corrosive over time, so keep all surfaces free of ash debris.

CAUTION – Appliance and stainless steel cleaning solvents are harmful to your Matchless Cabinet product's finish and should not come in contact with the surface at any time. Take care to spray the solvent onto a cloth and wipe only on the appliance surface.

Minimize the natural aging of your product by storing your cabinet in a dry, shaded area to reduce fading. Please contact your dealer for details.

Light or superficial scratches to the finish are likely to occur during normal use and do not affect the integrity of the product.